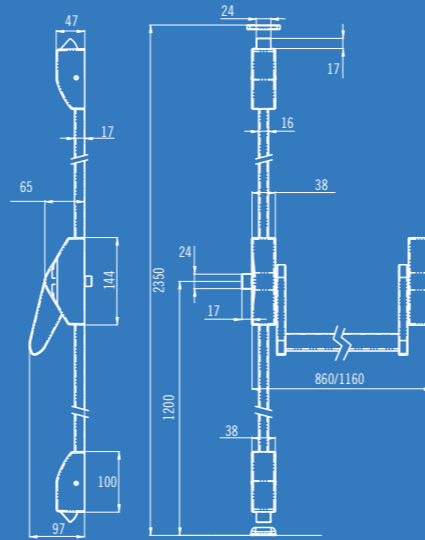
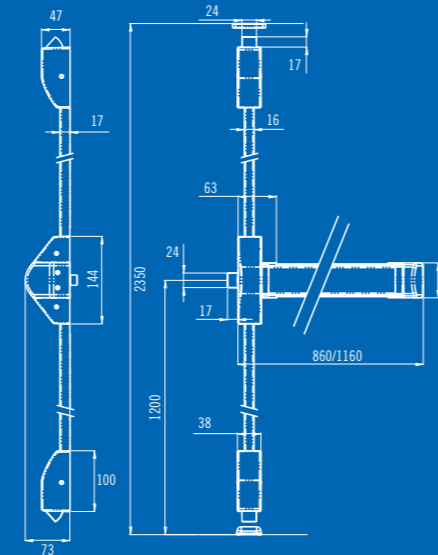
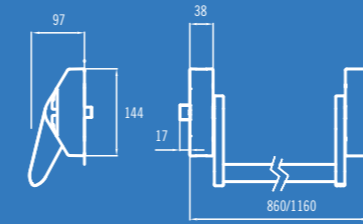
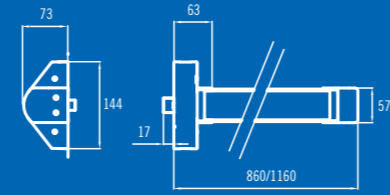


NOW, YOU CAN
DISCOVER THEM
MUCH SOONER



MEASUREMENTS

QUICK LITE



FINISHES

SILVER / SILVER



BLACK / RED



SILVER / GREEN



WHITE / WHITE



SILVER / RED



WHITE / GREEN



BLACK / GREEN



WHITE / RED



RANGE

STANDARD

- 1 point.
- Zamak door handle.
- Length: 900mm.
- Steel bolt eye.

OPTIONAL

- Multi-point.
- Card-proof device.
- Steel door handle.
- Several types of bolt eyes.
- Catch cover / Visible catch.
- Length: 1.200mm.

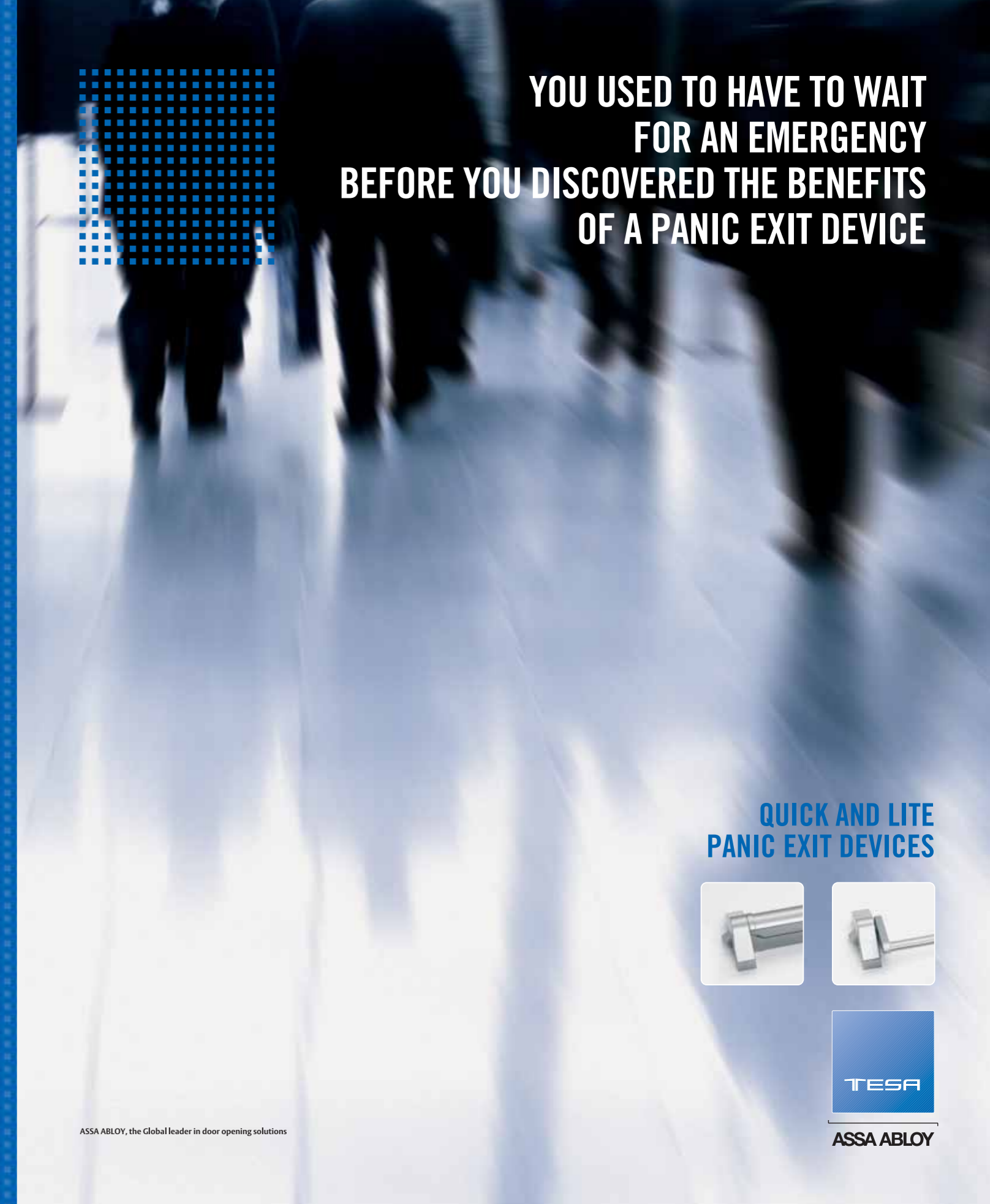


ASSA ABLOY

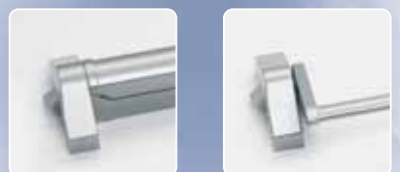
Talleres de Escoriaza, S.A.U.
Barrio Ventas, 35 · E-20305 Irun · SPAIN
Tel.: +34 943 669 100 · Fax: +34 943 633 221
www.tesa.es

ASSA ABLOY, the global leader in door opening solutions, dedicated to satisfying end-user needs for security, safety and convenience.

YOU USED TO HAVE TO WAIT
FOR AN EMERGENCY
BEFORE YOU DISCOVERED THE BENEFITS
OF A PANIC EXIT DEVICE

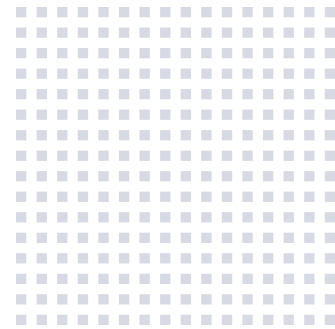


QUICK AND LITE
PANIC EXIT DEVICES



ASSA ABLOY

ASSA ABLOY, the Global leader in door opening solutions



The new panic exit devices developed by **TESA** add a modular design under the same platform, giving you many benefits from the moment you buy them.

NEW PANIC EXIT DEVICES **QUICK AND LITE** BENEFITS FROM START TO FINISH



QUICK SILVER finish



LITE SILVER finish

INSTALLATION NO ONE MAKES IT EASIER

FITS EASILY ON THE DOOR

To install the panic exit device, base plates are fixed to the door so the screws can be placed at different positions leaving the door ribs free. Next step is to fit the panic exit device on the baseplate. Quick and easy.

SOLUTIONS FOR ALL TYPE OF DOORS

Aluminum profile, PVC, wood and fire-rated doors. We have a solution for any door. Different combinations depending on the number of locking points allow to use this new panic exit device in single leaf or double leaf doors.

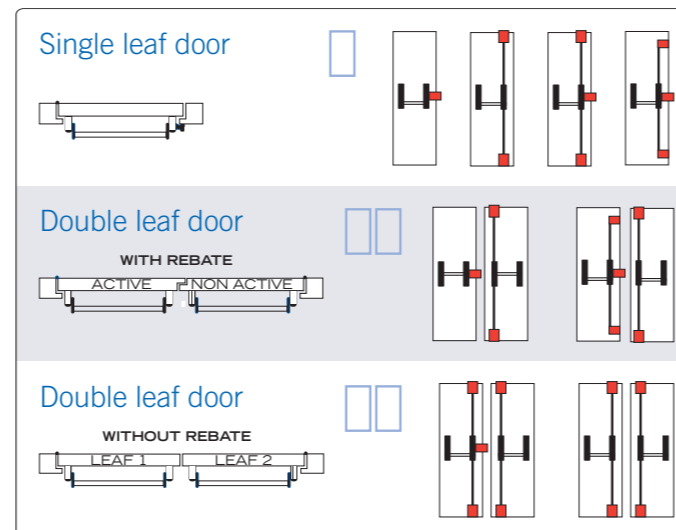


Chart valid for both QUICK and LITE models

OTHER FACILITIES

The strikes are ready for different doors, and are designed to be used in different rebate sizes. The narrow, small and low projection covers shown a soft design, and fit very well in different door styles.

Standards

- CE marking according UNE-EN1125.
- Product certified for fire rated doors, tested according UNE-EN1634-1.

3	7	6	0/1	1	3	2	2	A	Lite series
3	7	6	0/1	1	3	2	2	B	Quick series



PRICE PAY JUST FOR WHAT YOU NEED

ONE SOLUTION FOR EVERY SINGLE NEED

The new range of panic exit devices developed by **TESA** is based on a standard product, allowing to add different options to get the proper solution to your needs. This possibility allows our product to be customized so you will only pay for what you need.



MODULARITY MADE-TO-ORDER PRODUCT

LIMITED STOCK

A limited stock of component parts allows us to design a variety of solutions.



SINGLE PLATFORM

LITE and **QUICK** series panic exit devices have been designed under the same platform, so either one can be used in the same installation. Architects and installers can choose either

model because both of them use the same fixing system. The accessories for both models are also identical, making warehouse management easier and providing new benefits to installers.



OUTSIDE TRIM: MODULAR LEVER HANDLE

Different options available, including clutching system, lever handle, knob, exchangeable cylinders allowing master keying, ...



The outside trim is supplied without cylinder

PRODUCT THE MOST COMPLETE RANGE

LITE and **QUICK** series are based on a standard product definition, but extra option can be added on:

- Dogging device
- Deadlatch
- Vertical rod device cover
- Steel latch for fire rated doors
- Different strikes
- Lateral latches



Wide range of finishes

Door sizes

- 900mm and 1200mm long panic exit devices.
- Maximum standard height: 2350mm
- KIT for doors up to 3200mm.
- Maximum door weight: 200 Kg.

Acabados

- Covers, vertical rod devices and fixed bar (QUICK): black, silver, white.
- Active bar (QUICK) and oval tube (LITE): black, silver, white, red - green.